

- Application: natural ventilation, SHEV, ferralux®-NSHEV
- Internal intelligent cut-off switch S12
- Feedback limit position „CLOSE“ (max. 24 V, 500 mA)

Equipment

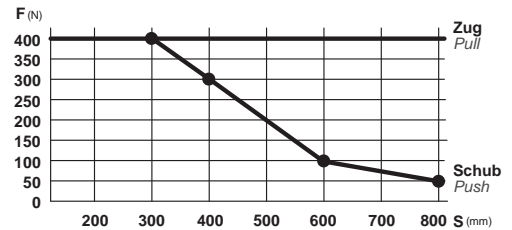
- Additional universal plug set for multi-drive operation

Options

- Programmable special functions
- Programmable feedback limit position „OPEN“ (max. 24V, 500 mA)
- M-COM for automatic synchronised run of multi drive systems and automatic sequence control with FV locking drives (S3/S12 SW V2)

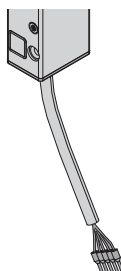
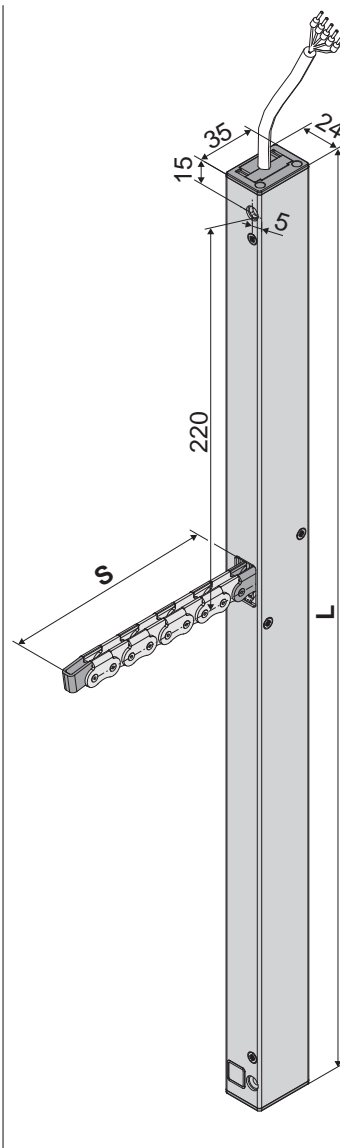
TECHNICAL DATA

U_N	Rated voltage	24V DC ($\pm 20\%$), max. 2 Vpp
I_N	Rated current	0,9 A
I_A	Cut-off current	1,2 A
P_N	Rated power	22 W
ED	Duty cycle	30 % (ON: 3 min./OFF: 7 min.)
	Protection rating	IP 32
	Ambient temperature range	-5 °C ... +75 °C
F_Z	Pulling force max.	400 N
F_A	Pushing force	



s > 600 mm only for pulling application

F_H	Pullout force	1.800 N (fastening depended)															
	Chain	Stainless steel, without protruding rivet heads. Simple connection to casement brackets. Small bending radii allow maximum opening angles of small windows.															
	Connecting cable	non-halogen, grey 5 x 0,5 mm ² , ~ 2 m															
v	Speed	<table border="0"> <tr> <td>s < 400</td> <td></td> <td>8,0 mm/s</td> <td></td> <td>8,0 mm/s</td> </tr> <tr> <td>s 500 – 600</td> <td></td> <td>12,0 mm/s</td> <td></td> <td>8,0 mm/s</td> </tr> <tr> <td>s > 600</td> <td></td> <td>13,5 mm/s</td> <td></td> <td>8,0 mm/s</td> </tr> </table>	s < 400		8,0 mm/s		8,0 mm/s	s 500 – 600		12,0 mm/s		8,0 mm/s	s > 600		13,5 mm/s		8,0 mm/s
s < 400		8,0 mm/s		8,0 mm/s													
s 500 – 600		12,0 mm/s		8,0 mm/s													
s > 600		13,5 mm/s		8,0 mm/s													
s	Stroke	200 – 800 mm ($\pm 5\%$)															
L	Length	see order data															
	Feedback contact	limit position „CLOSE“ (max. 24 V, 500 mA)															
	Sound pressure level A	<<70 dB (A)															



AUMÜLLER chain drives have an integrated cable routing with connection sockets on both housing ends. This enables the following options:

- Universal plug with various cable lengths
Part.-No.: 501250 - 1 m cable length / 501258 - 2 m cable length / 501251 - 3 m cable length / 501252 - 5 m cable length / 501253 - 10 m cable length
- Series connection of several drives into multi drive systems
- Power supply from both sides

ORDER DATA						
s [mm]	L [mm]	Version	Finish	PU/pcs.	Part.-No.	
200	455	KS4 200 S12 24V R	E6/C-0	1	522020	
300	551	KS4 300 S12 24V R	E6/C-0	1	522030	
400	551	KS4 400 S12 24V R	E6/C-0	1	522040	
500	665	KS4 500 S12 24V R	E6/C-0	1	522050	
600	665	KS4 600 S12 24V R	E6/C-0	1	522060	
800	755	KS4 800 S12 24V R	E6/C-0	1	522080	

OPTIONS			
Special model	PU/pcs.	Part.-No.	
Drive housing painted/powder coated in other RAL colours			
Specify at order stage:	1 – 4	516004	
	5 – 9	516004	
	10 – 49	516004	
	50 – 99	516004	
	up 100	516004	
Microprocessor programming S12			
Electronic stroke reduction		524190	
Special functions		524180	
Optional accessories			
M-COM Comm. module for synchronised multi-drive systems	1	524177	