



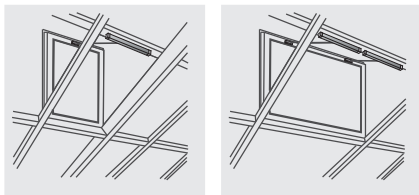
### PRODUCT FEATURES KS15

- For natural ventilation, smoke and heat exhausting systems and ferralux® NSHEV (EN12101-2)
- Aluminium housing anodized or optionally in RAL colors
- High-quality, robust and nickel-plated steel chain
- Symmetrical chain output
- Short design with 3-fold wound chain and especially quiet running
- Feedback limit position „CLOSE“ (max. 24V, 500 mA)
- Programmable parameters of Intelligent Control Electronics S12:
  - Feedback limit position „OPEN“ (max. 24V, 500 mA)
  - Synchronised multi-operation and sequence control without add. devices
  - Electronic soft-start, soft-close and soft-stop at end of stroke control
  - Stroke, force, speed
  - Rebate control
- Integrated plug solution

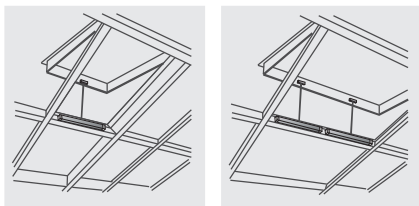
For this product series, a Type III Environmental Product Declaration (EPD) was issued according to ISO 14025 and EN 15804. The LCA results of the different product types are listed at the end of this product catalogue. The EPD documents can be viewed or downloaded from our homepage [www.aumueller-gmbh.de](http://www.aumueller-gmbh.de).

**ROOF**

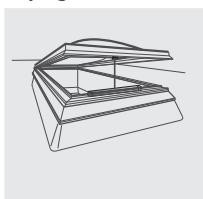
Bottom-hung



Top-hung

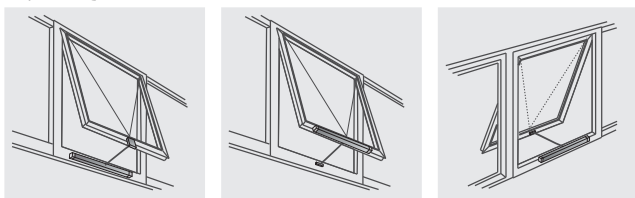


Sky light



**FACADE**

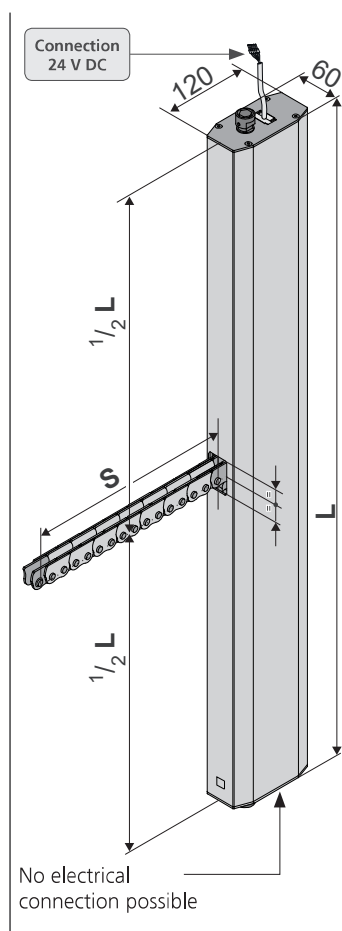
Top-hung



- Application: natural ventilation, SHEV ferralux®-NSHEV
- Symmetrical chain output
- Internal Intelligent Control Electronics S12
- Feedback limit position „CLOSE“ (max. 24V, 500 mA)
- Integrated plug solution

### Options

- Programmable special functions
- Programmable feedback limit position „OPEN“ (max. 24V, 500 mA)
- M-COM for automatic synchronised run of multi drive systems and automatic sequence control with locking drives (S3 / S12)



### TECHNICAL DATA

$U_N$	Rated voltage	24V DC (19 V ... 28 V)
$I_N$	Rated current	3,75 A
$I_A$	Cut-off current	5 A
$P_N$	Rated power	90 W
DC	Duty cycle	5 cycles (ED 30 % - ON: 3 min./OFF: 7 min.)
	Protection rating	IP 20
	Ambient temperature range	-5 °C ... +60 °C
$F_Z$	Pulling force max.	<ul style="list-style-type: none"> <li>• 300N to 1.500N freely adjustable</li> <li>• preset 1500N, soft run 300N</li> </ul>
$F_A$	Pushing force max.	1.500 N, to 1.000 mm linear
$F_H$	Pullout force	5.000 N (fastening depended)
	Chain	High-quality, robust and nickel-plated steel chain
	Connecting cable	non-halogen, grey, $\varnothing$ 9 mm, $3 \times 1 \text{ mm}^2$ , ~ 3 m
$v$	Speed	<ul style="list-style-type: none"> <li>• 6,0 mm/s to 17 mm/s, freely adjustable</li> <li>• preset 17 mm/s</li> </ul>
$s$	Stroke	250 – 1000 mm
$L$	Length	see order data
	Feedback contact	limit position „CLOSE“ (max. 24V, 500 mA)
	Sound pressure level	$\leq 70 \text{ dB (A)}$

ORDER DATA						
s [mm]	L [mm]	Version	Finish	PU / pcs.	Part.-No.	
<b>Drives</b>						
800	800	KS15 800 S12 24V	E6/C-0	1	<b>525380</b>	
1000	920	KS15 1000 S12 24V	E6/C-0	1	<b>525400</b>	
<b>Set: Frame bracket and casement bracket (kit)</b>						
Set: Frame bracket unit KS15 Schüco AWS 57 RO		K153: Stainless steel, rolled F54: Aluminium, E6/C-0		1	<b>524080</b>	
Set: Frame bracket unit KS15 Raico FRAME+100/120 RI		K154: Stainless steel, rolled F54: Aluminium, E6/C-0		1	<b>524085</b>	

OPTIONEN			
Special model	PU / pcs.	Part.-No.	
<b>Drive housing painted/powder coated in other RAL colours</b>			
<b>Lump sum for coating</b>		<b>516030</b>	
Specify at order stage:	1 – 20	<b>516004</b>	
	21 – 50	<b>516004</b>	
	51 – 100	<b>516004</b>	
	ab 101	<b>516004</b>	
<b>Plug solution:</b>			
<b>AUMÜLLER-Click plug solution - 5 m – non-halogen, grey – 5 x 1,0 mm<sup>2</sup></b>		<b>501290</b>	
<b>Microprocessor programming S12</b>			
Electronic stroke reduction 24V S12		<b>524190</b>	
Programming drives 24V / 230V S12		<b>524180</b>	
<b>Optional accessories</b>			
M-COM Configuration module for synchronised multi-drive systems	1	<b>524177</b>	

OVERVIEW OF BRACKETS						
Typical application			1	2		
Frame bracket			K153 Mounting in the roof	K154 Mounting in the roof		
Casement bracket			F54	F54		
Space requirement	min.	[mm]	49	49		
Overlap thickness (*1)		[mm]	0 - 21	0 - 21		
Opening angle (*2)	max.	[DEG]	60	60		
Casement weight (*3)	max.	[Kg]	300	300		
Window material		Alu	●	●		
		Wood	●	●		
		PVC	●	●		
Type of window and mounting	Bottom hung	inward	HSK	FM	●	●
				RM		
			NSK	FM	●	●
		RM				
		outward	HSK	RM	●	●
				PR		
	NSK		RM	●	●	
			PR			
	Top hung	inward	HSK	FM	■	■
				RM		
			NSK	FM	■	■
				RM		
		outward	HSK	RM	■	●
				PR		
			NSK	RM	■	■
				PR		
	Side hung	inward	HSK	FM	●	●
				RM		
			NSK	FM		
		RM				
Roof		outward	HSK	RM	■	■
				PR		
	NSK	RM				
		PR				
PAF	outward		RM	●	●	
Concealed						
FAB (*4)	Solo	[mm]	600 - 1200			
FAH (*4)	Solo	[mm]	250 - 1500			

### LEGEND

● suitable    ■ not recommended

(\*1) Window sizes and opening angles may be different.

(\*2) Sample values of the opening angle evaluated on the basis of FAB/FAH for inward opening windows with drives mounted at the main closing edge.

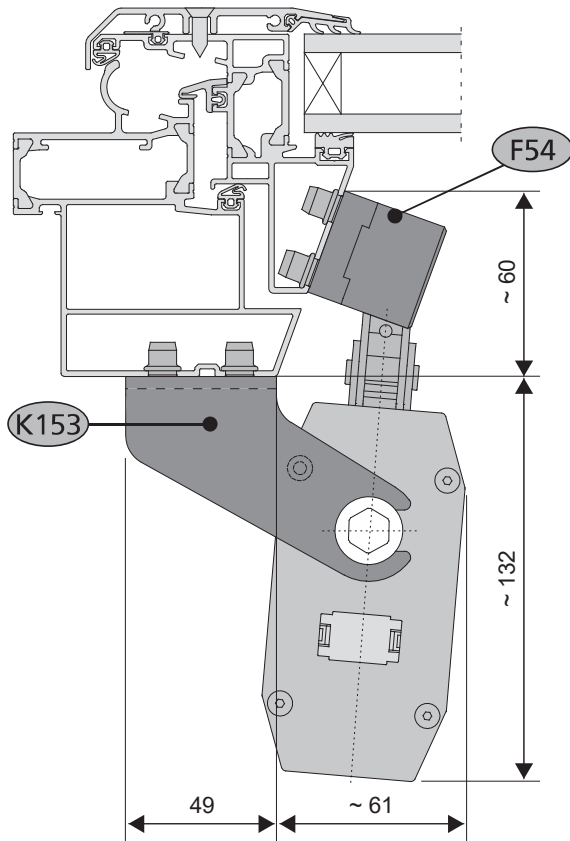
For any other window heights, for outward opening windows and for windows with drives mounted at the side edges the opening angle will vary.

(\*3) Please respect the individual geometry of the different windows. The listed max. casement weight refers to a single drive on button hung window with a max. opening angle.

(\*4) Sample value of the casement dimensions for corner joints of 110 mm. The actual casement dimensions depend on length of the corner joints, profile dimensions, stroke and position of the drives. The values of FAB/FAH are to be used analogue for side hung windows.

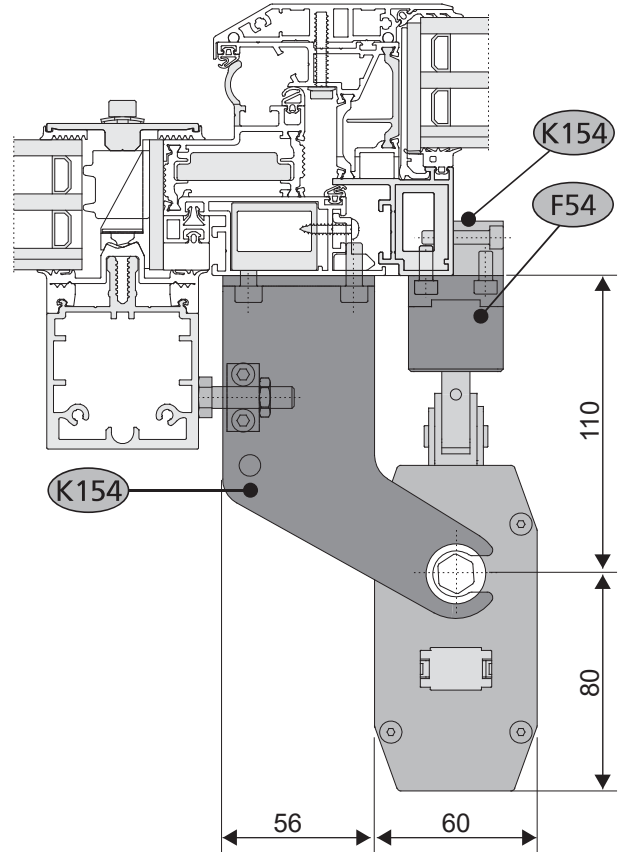
## TYPICAL APPLICATIONS

- 1 RM, roof window, outward opening  
Schüco AWS 57RO



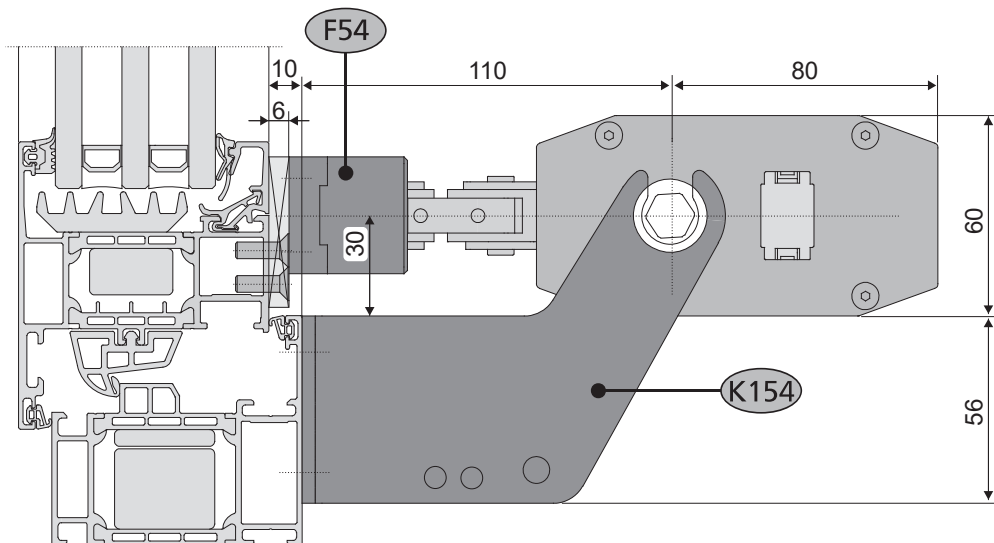
View on PVC-window

- 2 RM, roof window, outward opening  
Raico FRAME+100/120RI



View on PVC-window

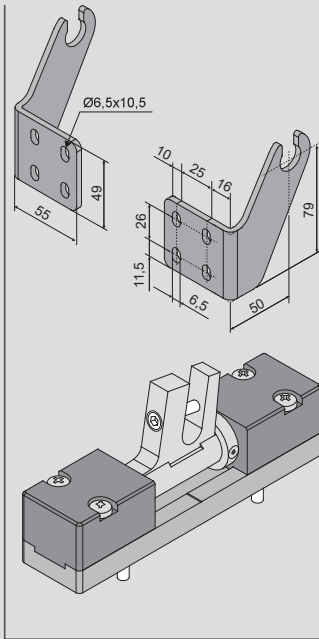
- 2 RM, top hung, outward opening (Mounting universal for facade)



View on PVC-window

### CASEMENT BRACKETS AND FRAME BRACKET (SET)

**K153  
F54**



**Application**

Surface mounting on the frame profiles outward opening roof windows series **Schüco AWS 57RO**, for swivelling fixing of drives **KS15** with **F54**

**Part.-No. 524080**

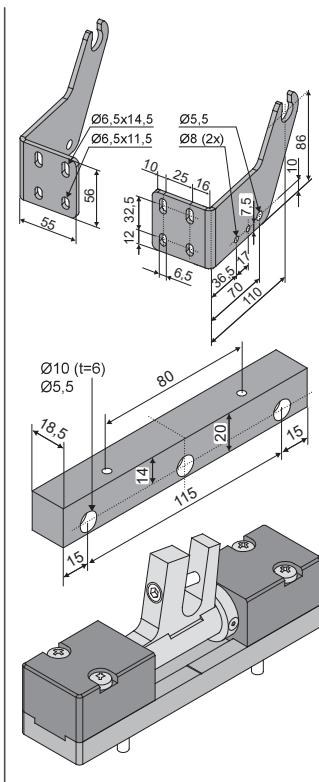
**Material / Finish**

**K153:** stainless steel, vibratory grinding  
**F54:** aluminium (E6/C-0)

**Feature / Equipment**

- 1x K153 frame bracket (left + right)
- 1x F54 casement bracket consisting of: baseplate, chain storing, screws M5x30, screw M5x30

**K154  
F54**



**Application**

Surface mounting on the frame profiles outward opening roof windows series **Raico FRAME+100/120RI**, for swivelling fixing of drives **KS15** with **F54**

**Part.-No. 524085**

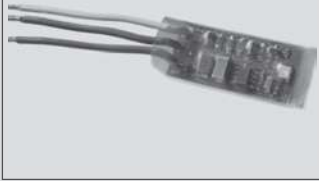
**Material / Finish**

**K154:** stainless steel, vibratory grinding  
**F54:** aluminium (E6/C-0)

**Feature / Equipment**

- 1x K154 frame bracket (left + right) with mounting block
- 1x F54 casement bracket consisting of: baseplate, chain storing, screws M5x30, screw M5x30

## OPTIONAL ACCESSORIES

Main control unit			
<b>M-COM</b>		<p><b>Application</b></p> <p><b>Configuration module</b> for automatic configuration and surveillance of max. 4 opening drives / 2 locking drives version S12 / S3 in synchronised multi-drive systems</p> <p><b>Rated voltage:</b> 24V DC (19V ... 28V)</p> <p><b>Current consumption:</b> &lt;12 mA</p> <p><b>Drive type:</b> S12</p> <p><b>Protection rating</b> IP30 rubber envelope</p>	<p><b>Part.-No. 524177</b></p> <p><b>Ambient temperature range:</b> 0 °C ... + 70 °C</p> <p><b>Dimensions</b> 45 x 17 x 6 mm</p> <p><b>Connecting wires</b> 3 wires 0,5 mm<sup>2</sup> x 50 mm</p> <p><b>Feature/Equipment</b> Printed circuit board with components and connection wires to be installed in connection box to be supplied on site</p>
Plug solution			
<b>AUMÜLLER-Click plug solution</b>		<p><b>Application</b></p> <p><b>AUMÜLLER-Click plug solution:</b> Unified plug solution for all AUMÜLLER chain drives and AUMÜLLER folding arm drives.</p> <p><b>Rated voltage:</b> 24V DC (19V ... 28V)</p> <p><b>Connecting cable:</b> non-halogen, grey 5 x 1,0 mm<sup>2</sup> length: 5 m</p> <p><b>Terminal:</b> to 1,5 mm<sup>2</sup></p>	<p><b>Part.-No. 501290</b></p> <p><b>Feature/Equipment</b></p> <ul style="list-style-type: none"> <li>• Flexible cable length</li> <li>• Connect multiple drives in series connection</li> <li>• Torsion-plug</li> <li>• Locking hooks prevent withdrawal of the plug under tensile load</li> <li>• Strain relief according DIN EN 60335-1 by screwing the housing halves</li> </ul>

## CASEMENT BRACKETS AND FRAME BRACKETS

Special model	PU/pcs.	Part.-No.			
Casement brackets painted / powder coated in other RAL colours					
Lump sum for coating		516030			
Specify at order stage:	1 – 20	516032			
	21 – 50	516032			
	51 – 100	516032			
	from 101	516032			
Frame brackets painted / powder coated in other RAL colours					
Lump sum for coating		516030			
Specify at order stage:	1 – 20	516031			
	21 – 50	516031			
	51 – 100	516031			
	from 101	516031			



