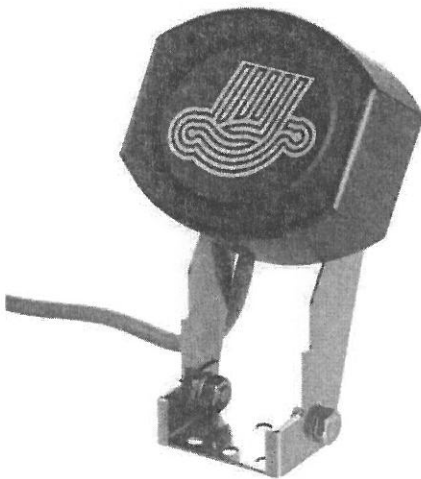


INSTALLATION AND COMMISSIONING INSTRUCTION

Rain sensor Typ III 24V DC

Rain sensor Typ III 24 V DC

24V

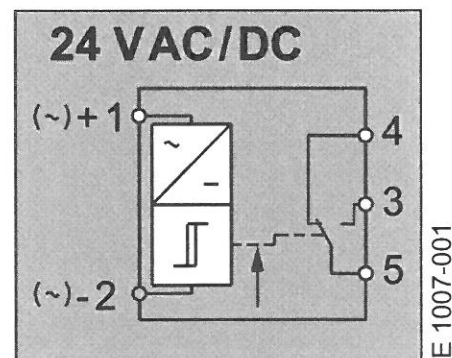


Part.-No.: 480210
Application: Rain sensor with heated sensor surface and intergrated exaluation control with volt free output contact.
For connection: Control unit EMB 7300, weather module WM (EMB 8000), wind / rain controls WRAG2 and type IV

Operating voltage: 24 V DC (+/- 20%)
Standby current: <150 mA
Measuring principle: Conductivity measurement, heated sensor
Hysteresis: 5 min
Display: Output active
Output: 1x change-over switch, 5 A / max. 48 V
Protection rating: IP65
Housing: Surface mounting, ABS black with bracket (stainless steel)
Dimensions: 100 x 85 x 172 mm
Connection cable: non-halogen cable, approx. 4 m

- Rain sensor Typ III to close windows, domlights etc. automatically in case of rain or snow.
- Compact design; sensor and exaluation control intergrated in housing
- Display: Indication of switching status
- Maximum level of savety by carting technology
- Corrosion resistant through gold-plated electrodes
- Heated measuring surface
- Maintenance-free
- Weather-proof polyamide housing (PA 66)
- Bracket (stainless steel / V2A) for pole and wall mounting

Connection diagram



Warranty claims require proper and professional assembly, installation and maintenance in accordance with national regulations and manufacturer's instructions of the SHEV control unit.

The safety instructions in the supplied product documentation are to be observed.



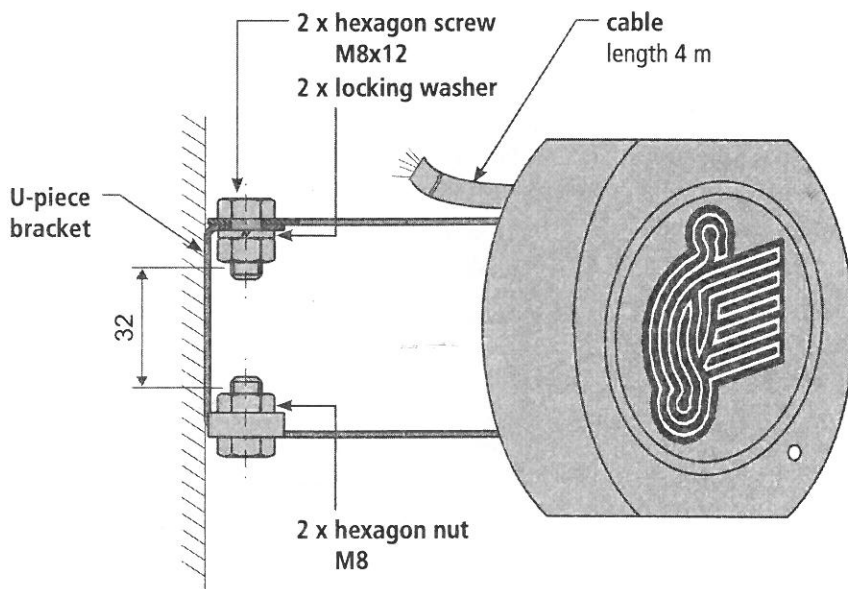
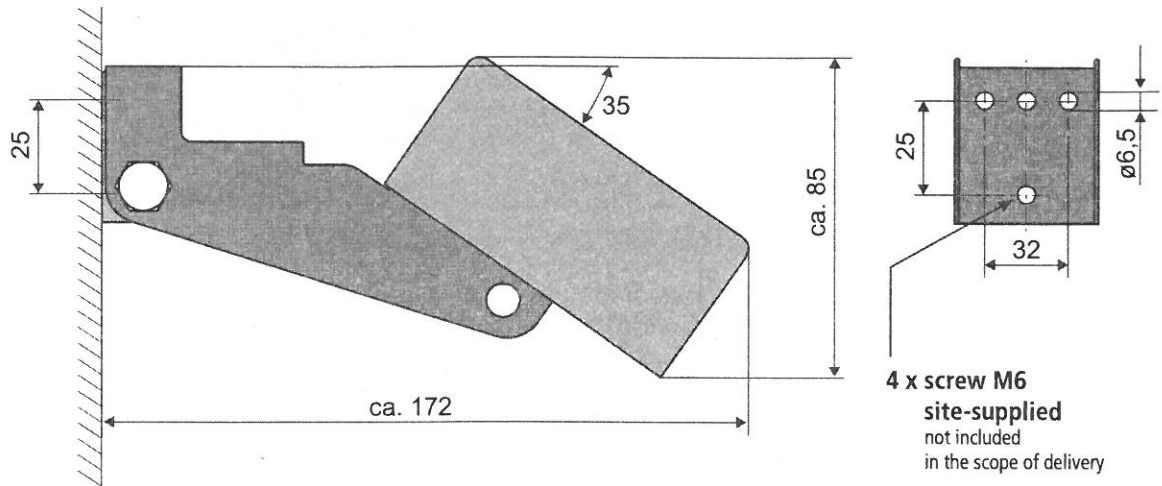
Strictly observe the information given in this and in the instructions for installation of the SHEV control unit, when mounting the rain sensor Typ III 24 V DC.

Details can be found on our website
www.aumueller-gmbh.de

Keep this instruction over the lifetime of the product.

ASSEMBLY RAIN SENSOR TYP III

Assembly rain sensor Typ III



www.aumueller-gmbh.de

AUMÜLLER AUMATIC GMBH
Gemeindewald 11
86672 Thierhaupten

Tel. +49 8271 8185-0
Fax +49 8271 8185-250
info@aumuellergmbh.de