



## FALL-THROUGH PROTECTION GRID Installation instruction



## CONTENT

Remarks .....	S. 2
Fixing material .....	S. 2
Maintenance regulations .....	S. 2
Installation .....	S. 3 - 4
Preparation .....	S. 3
Installation in the roof opening .....	S. 3
Installation in the curb .....	S. 4
Installation in the frame .....	S. 4

## REMARKS

The main aim of fall-through protection grid is to prevent people from falling through the dome. These installation instructions are meant for in-built construction and only describe the technique and the installation flow. A risk analysis must be drawn up before mounting. You also need to respect and follow the safety rules, to make sure the correct working conditions and health care regulations are honoured.

Possible safety measurements are:

- Safety conditions on the roof eg. Safety nets according to DIN EN 1263
- Make sure every one wears its personal safety means (PSM) and survey of a superior is recommended.

Make sure the access to and from the building area is safe.

## FIXING MATERIAL

If other fixing material is used than described in these installation instructions, its equivalence must be proved. The same applies for the fixings and roof edge distances.

## MAINTENANCE REGULATIONS

The fall-through protection grids must at least be controlled once a year by a qualified person. A written report of the check-up must be drawn up.

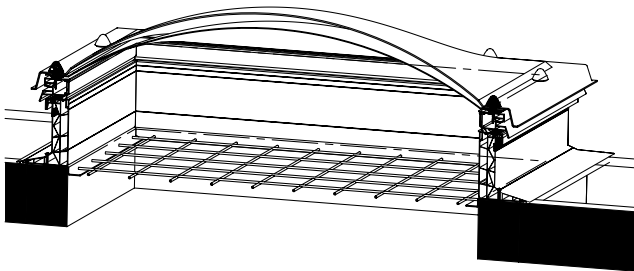
## INSTALLATION

### Preparation

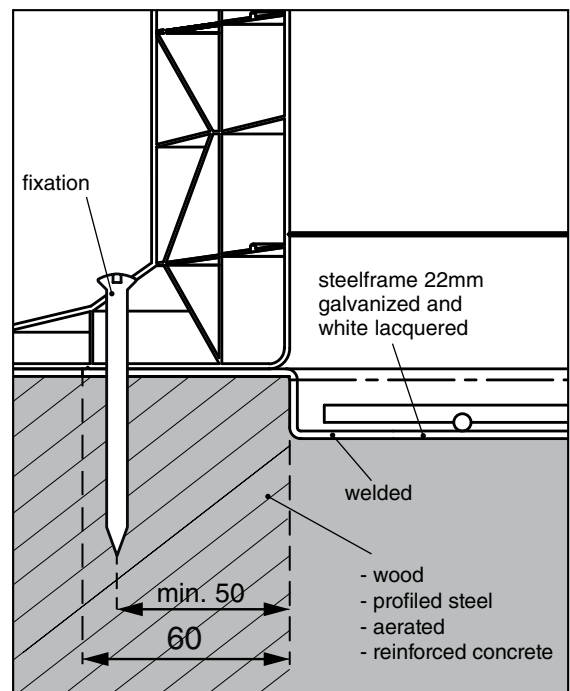
Respecting and following the installation instructions ensure an optimal functioning of the system and a long-lasting durability. Please check the delivery if it is complete and damage-free. We are not responsible for damage due to careless or wrong handling by installers or third parties.

### Installation in the roof opening

Make sure to foresee a stable and sufficiently strong support structure on which the fall protection grid can be mounted. The installers must wear a lifeline (safety line) (PSM against fall-through) and/or there must be safety nets underneath the roof opening. The grid must be fixed on a timber, metal or concrete underground in the predrilled holes of the grid with adapted fixation material.



support structure	type of fixation
wood	timber screw DIN 96/DIN 571 or DIN 7996 6x70 or longer, with ring according to DIN 9021-6,4 or equal
profiled steel	sheetscrew DIN 7983-6,3 x 50 with ring or sheet screw AS-S16 6,5 x 50 according to DIN 7500 formD or equal
aerated	Fischer 7x85 with ring according to DIN 9021-7,4 in Fischerplug GB10 or equal
reinforced concrete	Fischer 7x85 (with SKT head) with ring according to DIN 9021-7,4 in Fischerplug S10 x 50 or equal

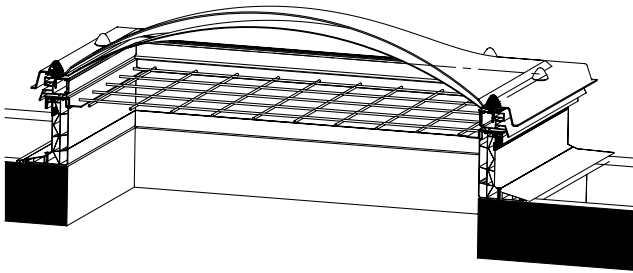


## INSTALLATION

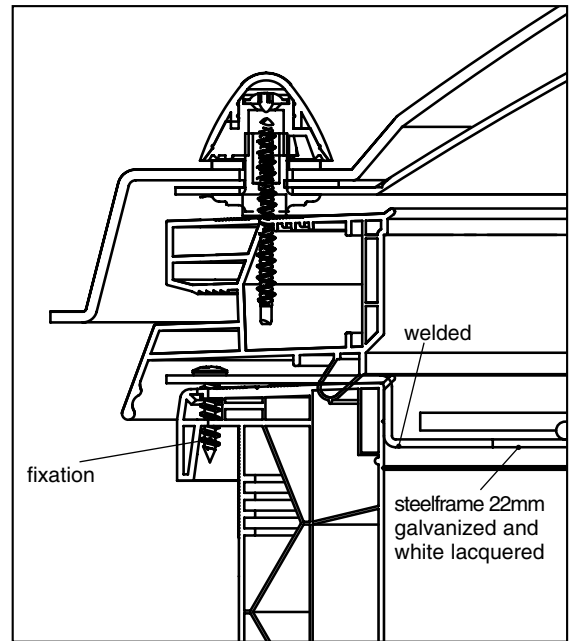
### Installation in the curb

The installers must wear a lifeline (safety line) (PSM against fall-through) and/or there must be safety nets underneath the roof opening. Only use a curb of Skylux®.

The different Skylux® curbs are adapted to built-in the fall-through protection grid. Fix the curb on a stable and adapted underground. Install the grid in the daylight size of the curb and fix with the delivered screws of the type HILO 25 x 5,3 in all predrilled holes of the grid.

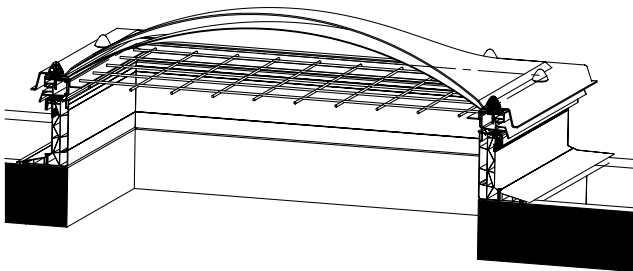


curb	type of fixation
pvc 16/20	Hilo 25mm x 5,3
pvc 16/20 EP	Hilo 25mm x 5,3
pvc 16/00	Hilo 25mm x 5,3
pvc 30/20	Hilo 25mm x 5,3
prv H15	Hilo 25mm x 5,3
prv D15	Hilo 25mm x 5,3
prv D30	Hilo 25mm x 5,3
prv D50	Hilo 25mm x 5,3
prv M15 - M50	Hilo 25mm x 5,3
metal M15-M50	Hilo 25mm x 5,3



### Installation in the frame

The installers must wear a lifeline (safety line) (PSM against fall-through) and/or there must be safety nets underneath the roof opening. The different Skylux® curbs and frames are adapted to built-in the fall-through protection grid. Install the grid in the frame using the installation instructions or use a preassembled frame. Fix the grid with the delivered screws of the type HILO 25 x 5,3 in all predrilled holes of the grid. Predrill holes in the grid with diameter 3,5 mm.



frames	type of fixation
pvc Sundome	Hilo 25mm x 5,3
pvc Window	Hilo 25mm x 5,3

